

EDGE-3813

EDGE-3813 RFID Tags provide amazing mini-sized micro tags that are simple to attach and have both mechanical and electrical capabilities. When necessary, they can be encoded, printed with a barcode, or personalized with brand logos depending on the project's needs.



In addition, EDGE-3813 tags offer reliable identification in RFID gates with readings up to 8m in ideal conditions - making them suitable for any asset identification requirement.

Part Number	IC Type	Memory Configuration
RFAB- 280808 - ETSI/FCC	Impinj Monza M781	EPC Memory - 128 bits

Applications



Electrical Specifications

Operational Frequency	FCC: 902-928MHz ETSI: 865- 868 MHz
Interface Protocol	ISO 18000-63 and EPCglobal Gen2v2
Chip Type*	IMPINJ M781
Memory Configuration	EPC Memory – 128 bits USER Memory – 512 bits
Date Retention	50 Years
Write Cycle Endurance	100,000 cycles

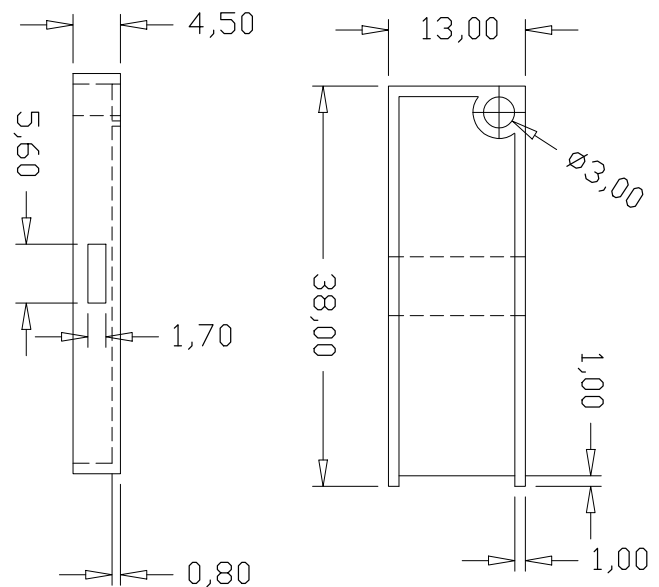
Products Characteristics

Product Size	38.0 x 13.0 x 4.50 mm/1.49X 0.51 x 0.17 in
Final Inspection	100 % Tested
Material	ABS
Packaging	100 Tags / Packet
Attachment	Adhesive

Environmental Specifications

Operating Temperature	-40 to +85 °C
Storage Temperature	-40 to +85 °C
IP Rating	IP67

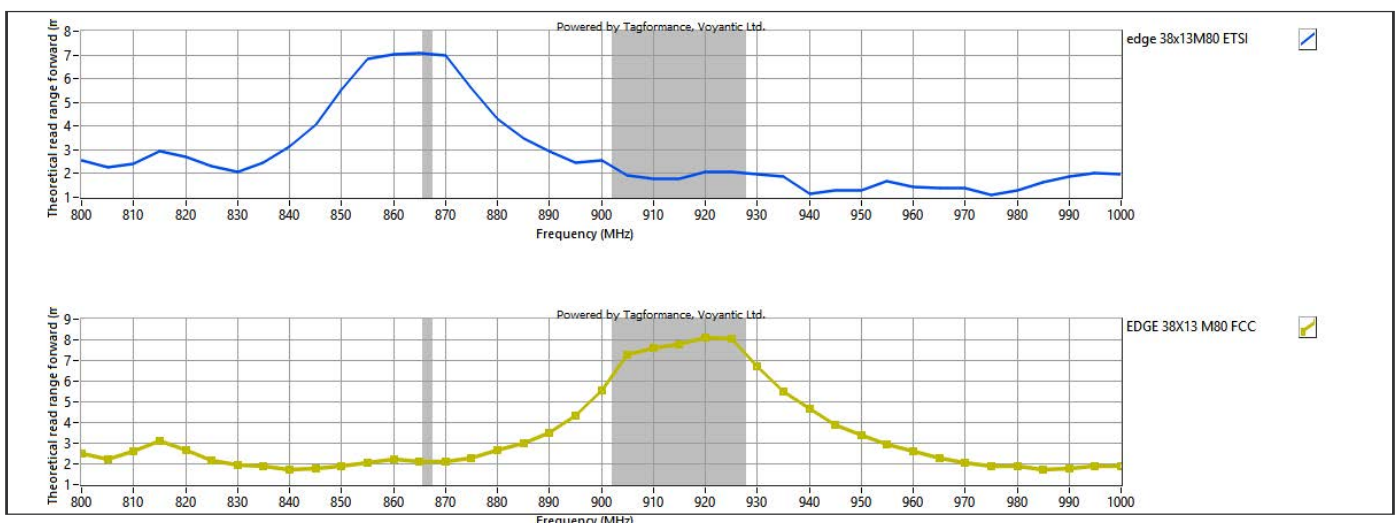
Drawing of Product



Personalization

- Customer specific encoding of EPC
- Customised printing of logo, text, barcode etc

READ RANGE GRAPH



Edge 3813 - RF performance(M781)

** The indicated read range values are measured in our laboratory testing environment, where antennas with optimum directivity are used with maximum allowed operating power. Different surface materials and environments may exhibit different results.