

## EDGE-8521

EDGE-8521 is the ultimate RFID tag solution for your tracking needs. With its industry-leading performance, durable outdoor resistant encapsulation and wide radiation pattern, you can now easily track and monitor any asset or item - quickly and reliably! Get the EDGE-8521 to get the advantage of superior performance, flexibility & reliability.



### Ordering Information

Part Number	IC Type	Memory Configuration
RFAB- 270808 - ETSI/FCC	Impinj Monza M781	EPC Memory - 128 bits

### Applications



## Electrical Specifications

<b>Operational Frequency</b>	FCC: 902-928MHz ETSI: 865- 868 MHz
<b>Interface Protocol</b>	ISO 18000-63 and EPCglobal Gen2v2
<b>Chip Type*</b>	IMPINJ M781
<b>Memory Configuration</b>	EPC Memory – 128 bits USER Memory – 512 bits
<b>Date Retention</b>	50 Years
<b>Write Cycle Endurance</b>	100,000 cycles

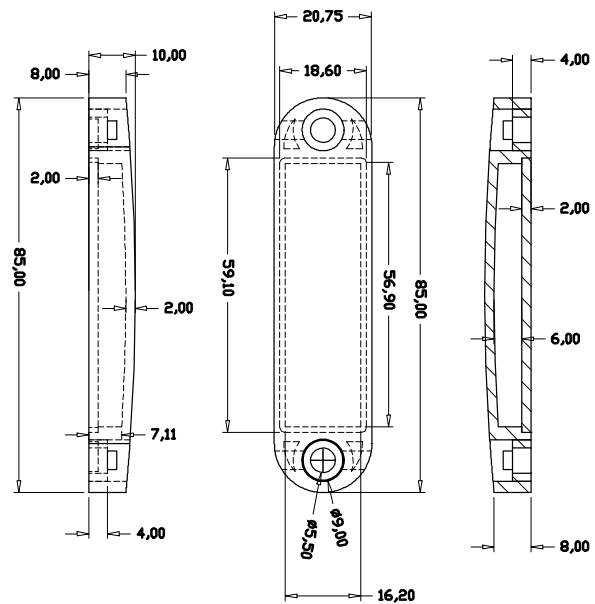
## Products Characteristics

<b>Product Size</b>	85 x 21 x 10 mm/1.49X 0.51 x 0.17 in
<b>Final Inspection</b>	100 % Tested
<b>Material</b>	ABS
<b>Packaging</b>	100 Tags / Packet
<b>Attachment</b>	Adhesive

## Environmental Specifications

<b>Operating Temperature</b>	-40 to +85 °C
<b>Storage Temperature</b>	-40 to +85 °C
<b>IP Rating</b>	IP67

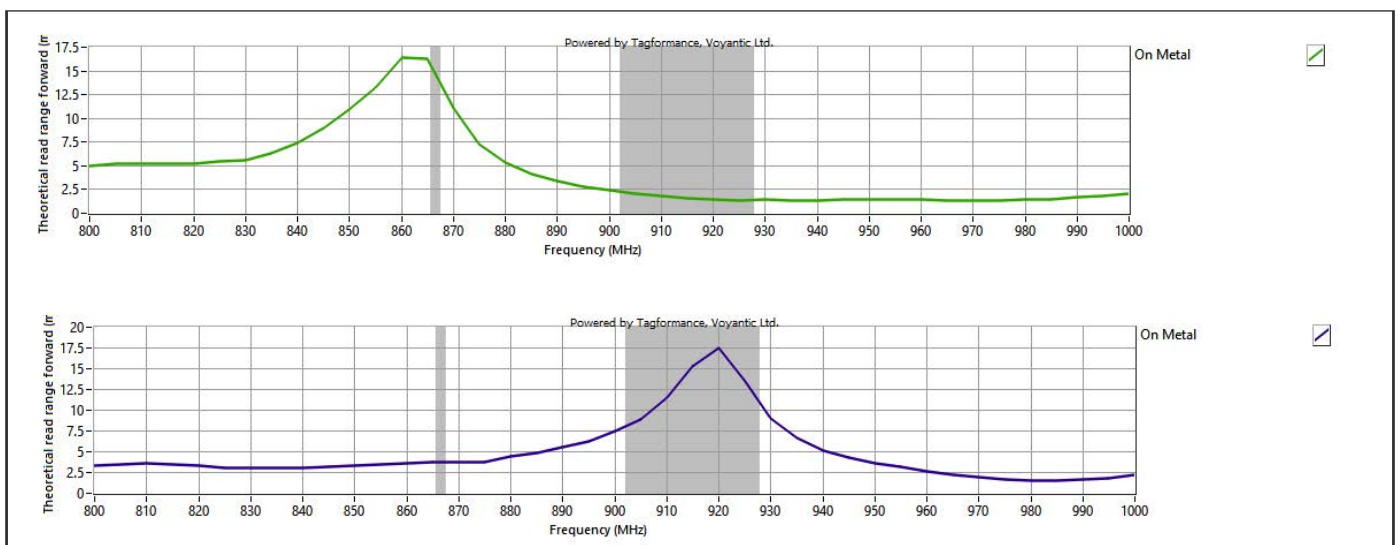
## Drawing of Product



## Personalization

- Customer specific encoding of EPC
- Customised printing of logo, text, barcode etc

## READ RANGE GRAPH



Edge 8521 - RF performance(M781)

\*\* The indicated read range values are measured in our laboratory testing environment, where antennas with optimum directivity are used with maximum allowed operating power. Different surface materials and environments may exhibit different results.