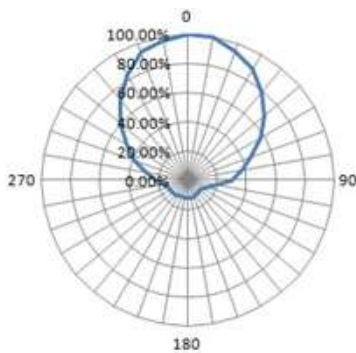




MICRO MEDICAL

Technical Specifications

- **RF protocol** EPC global Class 1 Gen 2
- **Frequency** 860-928 MHz (Global)
- **IC type (chip)**¹ Impinj M781
- **Chip memory**² 128 bits EPC, 96 bits TID, 512 bits user memory
- **Read range on metal**³ Up to 13.12 ft (4 m)
- **Read range off metal**³ Up to 16.40 ft (5 m)
- **Write cycles** 100,000 Times at 77°F (25°C)
- **Polarization** Linear
- **Radiation pattern on metal**



Key Features

- + **Co-developed with medical device manufacturers:** survive reprocessing cycles (chemicals, steam, autoclave)
- + **Medical-grade materials:** autoclave-proof
- + **IP69K:** high-pressure washing
- + **Stainless steel:** for secure mounting
- + **On metal and plastics:** up to 5 meters read range

Applications

- Surgical tray management
- Medical device tracking

Environmental Specifications

Temperatures



- Operational -40°C to +85°C
- Survival -40°C to +150°C

- **IP rating** IP69K
- **Shock** 3ft (1 m) to concrete/granite
- **Vibration** MIL-STD-810G
- **Warranty** 1 year

¹ The chip data retention is up to 50 years, based on chip operating under general environment conditions.

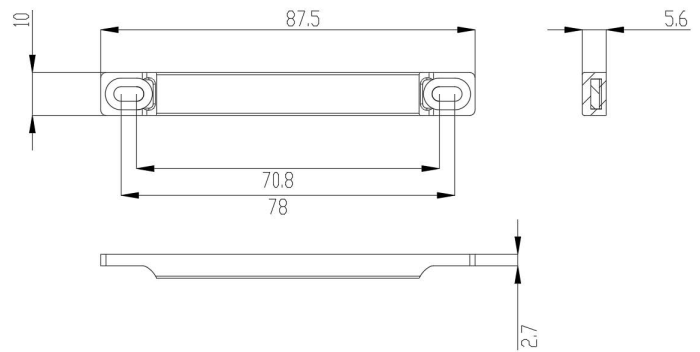
² EPC can be re-programmed, password protected, or permanently locked. TID is locked and unique at the point of manufacturing.

³ Handheld reader



Physical Specifications

- **Material** Industry grade polymer, Stainless steel
- **Dimensions (mm)**¹ 87.50 x 10 x 5.60
- **Rivet hole diameter** L: 7 mm, R: 1.70 mm
- **Weight** 8.50 g

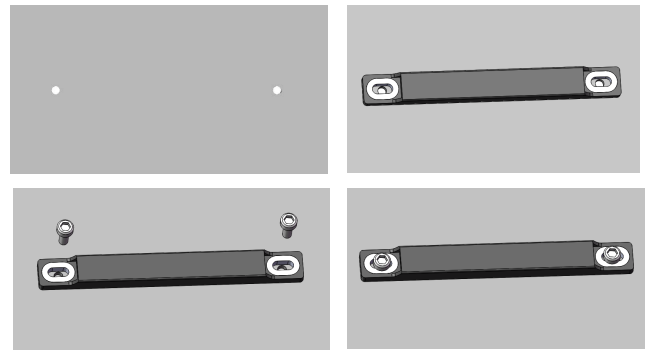


Mounting Systems

- Pop rivets
- Screws
- Cable and zip ties
- Industrial adhesives (optional)

Installation Instructions

1. Use M3 rivets for attachment:
 - Drill two holes (∅ 3.50) in the metal surface, pitch: 70.80-78.00 (± 0.20) mm.
 - Utilize M3 rivets in conjunction with a rivet gun to securely fasten the tag onto the metal surface.
2. Use M3 screws for attachment:
 - Drill two holes (∅ 2.20) in the metal surface, pitch: 70.80-78.00 (± 0.20) mm.
 - Perform a M3 thread tapping procedure.
 - Utilize M3 screws to securely attach the tag to the metal surface.



¹Tolerance: +/- 0.02; +/- 0.50

Industry Compliance



Order Information

MICRO Medical (Global): X0353-GL100-M781

Customization Options

Encoding

Laser Etching

The information provided by Xerify Singapore Pte. Ltd. is for general information purposes only. All information on the datasheet is provided in good faith. However we make no representation or warranty of any kind, express or implied, regarding the accuracy, adequacy, validity, reliability, availability, or completeness of any information on the datasheet.

Under no circumstance shall we have any liability to you for any loss or damage of any kind incurred as a result of the use of the product or reliance on any information provided on the datasheet. Your use of the product and your reliance on any information on the datasheet is solely at your own risk.