



24" 10 point multi-touch monitor with edge-to-edge glass and webcam

With 1920x1080 Full HD resolution and Projective Capacitive 10 point touch technology, the ProLite T2435MSC delivers seamless and accurate touch response. Featuring VA LED-backlit LCD screen technology, it offers exceptional colour performance and wide viewing angles, making it an excellent choice for a vast array of demanding interactive applications. Users can benefit from its hinged stand allowing the monitor to lay down completely flat for use as a giant tablet. The T2435MSC comes equipped with several video inputs and a USB 2.0 HUB as well as integrated stereo speakers delivering good quality sound. An ideal screen for Interactive Digital Signage, InStore Retail, Gaming and Interactive Presentations purposes.



Touch technology - Capacitive

This technology uses a sensor-grid of micro-fine wires integrated into the glass that covers the screen. Touch is detected because electrical characteristics of the sensor grid change when human finger is placed on the glass. Thanks to the glass overlay this technology is highly durable, and the touch function remains unaffected even if the glass is scratched. It offers perfect picture performance and will work with human finger (also latex gloved) and stylus-pen.



Webcam and microphone

The built-in webcam and microphone make this monitor a complete solution for online communication. Moreover you can use the touchscreen during a call to easily control your presentation and add annotations.

01 DISPLAY CHARACTERISTICS

Design	Edge to edge glass
Diagonal	23.6", 59.8cm
Panel	VA LED
Native resolution	1920 x 1080 (2.1 megapixel Full HD)
Aspect ratio	16:9
Panel brightness	250 cd/m ²
Brightness	215 cd/m ² with touch
Light transmittance	85%
Static contrast	3 000:1
Advanced contrast	12M:1
Response time (GTG)	6ms
Viewing zone	horizontal/vertical: horizontal°/vertical 178°, right/left: 0°/0°, up/down: 0°/0°
Colour support	16.7mln
Horizontal Sync	30 - 80kHz
Viewable area W x H	521.28 x 293.22mm, 20.5 x 11.5"
Pixel pitch	0.272mm
Bezel colour and finish	black, matte

02 TOUCH

Touch technology	projective capacitive
Touch points	10 (HID, only with supported OS)
Touch method	stylus, finger, glove (latex)
Touch interface	USB
Supported operating systems	All iiyama monitors are Plug & Play and compatible with Windows and Linux. For details regarding the supported OS for the touch models, please refer to the driver instruction file available in the downloads section.

03 INTERFACES / CONNECTORS / CONTROLS

Digital signal input	DVI x1 HDMI x1 DisplayPort x1
Audio output	Mini jack x1 Speakers 2 x 1W
USB HUB	x2 (v.2.0)

04 FEATURES

Extra	integrated webcam and microphone
Glass hardness	7H
OSD key lock	yes

05 GENERAL

OSD languages	EN, DE, FR, CN, RU, JP, CZ, NL, PL
Control buttons	Menu, Scroll up/ Audio Adjust, Scroll down/ i-Style Colour, Select/ Input select, Power

User controls

picture adjust (contrast, brightness, ACR, ECO mode, overdrive), input select, audio adjust (volume, mute, audio input), colour adjust, information, manual image adjust (sharpness, video mode adjust, blue light reducer, X-res technology), setup menu (language, OSD position, OSD time out, OSD background, opening logo, LED), memory recall

Convenience

Kensington-lock™ prepared

Plug&Play

DDC2B

06 MECHANICAL**Tilt angle**

15° up; 70° down

VESA mounting

100 x 100mm

07 ACCESSORIES INCLUDED**Cables**

power, DVI, USB, Audio, mDP - DP

Guides

quick start guide, safety guide

08 POWER MANAGEMENT**Power supply unit**

internal

Power supply

AC 100 - 240V, 50/60Hz

Power usage

24.1W typical, 0.38W stand by, 0.32W off mode

09 SUSTAINABILITY**Regulations**

CE, TÜV-Bauart, VCCI-B, PSE, RoHS support, ErP, WEEE, CU, REACH

Energy efficiency class (Regulation (EU) 2017/1369)

F

REACH SVHC

above 0.1%: Lead

10 DIMENSIONS / WEIGHT**Product dimensions W x H x D**

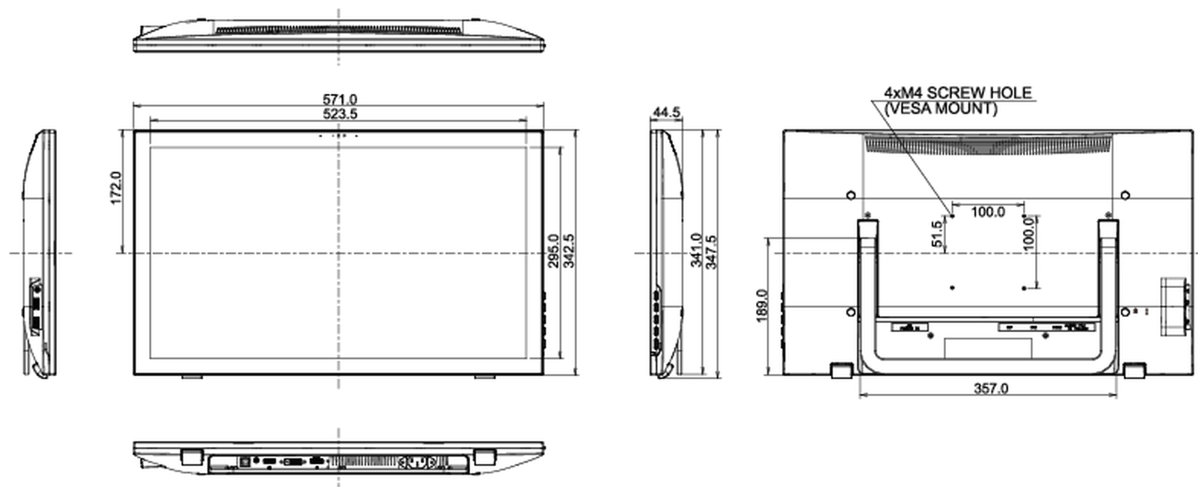
571 x 347.5 x 44.5mm

Weight (without box)

6.2kg

EAN code

4948570114467



All trademarks and registered trademarks acknowledged. E & O E. Specification subject to change without notice. All LCD's comply with ISO-9241-307:2008 in connection with pixel defects.

© IYAMA CORPORATION. ALL RIGHTS RESERVED