

Nordic ID SA0408 is ideal for environments where size limitations and IP rating need to be taken into account. Thanks to its unique design this antenna can be mounted directly on all surfaces, even on metal, without compromising UHF RFID reading performance.

Nordic ID SA0408 is designed to suit applications where compact size and excellent performance is needed.



UHF RFID	
Frequency band	ETSI 865 – 868 MHz, FCC 902 – 928 MHz
Gain	-1 dBic
Beam width (-3 dB)	120/150°
Polarization	RHCP
Input impedance	50 Ω
VSWR	< 1.5:1
Maximum input power	2W
Front-to-back ratio	9 dB
Axial ratio	2 dB
Connector	SMA Female connector
SIZE AND WEIGHT	
Dimensions	(W) 40 x (L) 83x (H) 20 mm / (W) 1.6 x (L) 3.3 x 0.8 inch
Weight	26 g / 0.92 oz
ENVIRONMENT	
Operating Temperature	-20°C to 55°C -4°F to 130°F
Storage Temperature	-40°C to 85°C -40°F to 185°F
Environmental Sealing	IP65

PRODUCT HIGHLIGHTS

- Compact size yet excellent performance
- Usable on all surfaces, including metal
- IP65 rating

SUITABLE APPLICATION AREAS

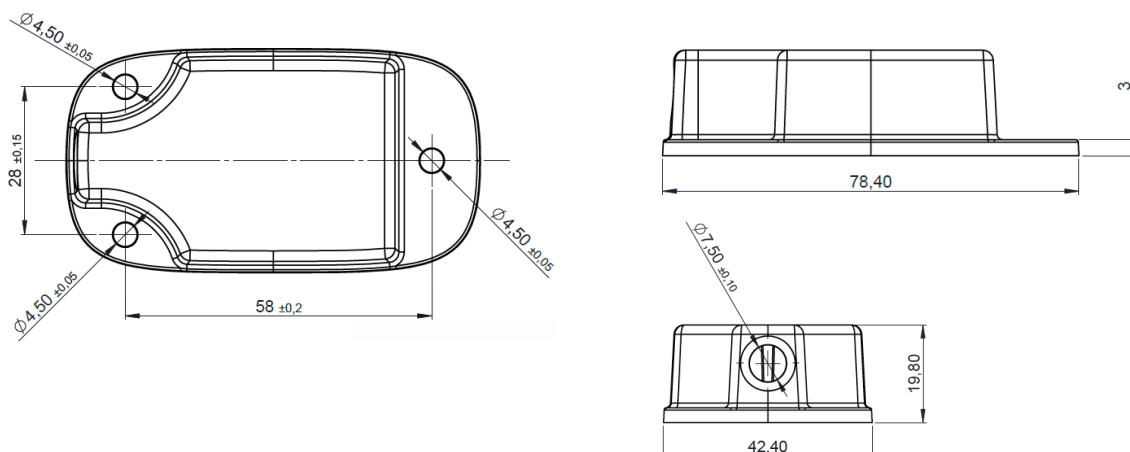
- Commissioning
- Point-of-sales

All information is subject to change without prior notice. Availability of product variants may vary regionally.



ANTENNA DIMENSIONS

(in millimeters)



ANTENNA RADIATION PATTERN

